

Design and Manufacturing of a Multifunctional FDM 3-D Printer

Students: A. Sarp Uyandiran, A. Mise, B. Sarac

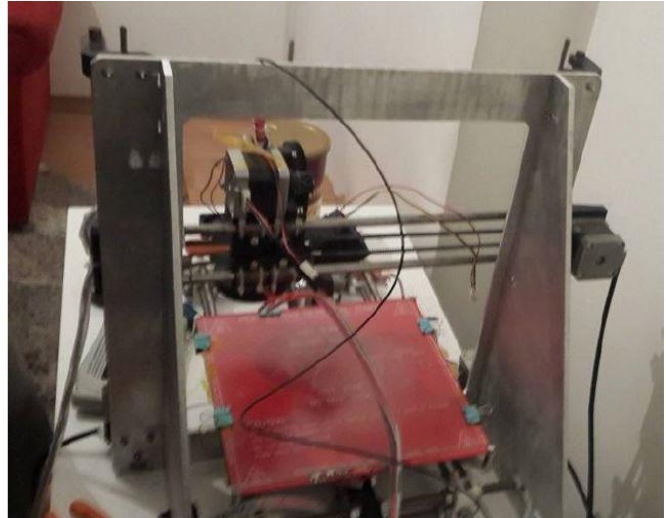
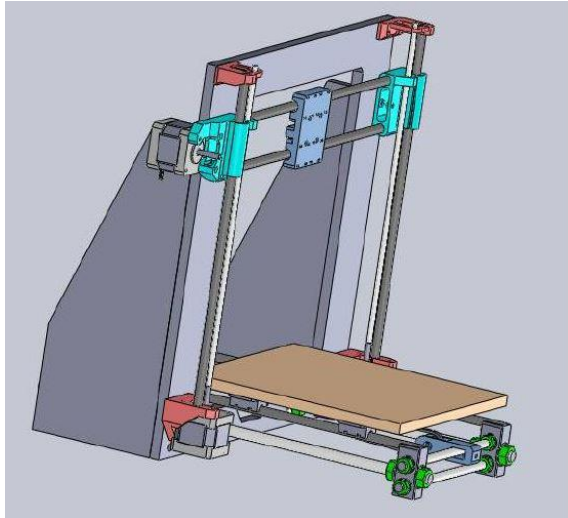


Fig 3: Solid Design and the 3-D printer prototype – by: S. Uyandiran, A. Mise and B. Sarac – ongoing study