

# OPEN MSC/PHD POSITIONS

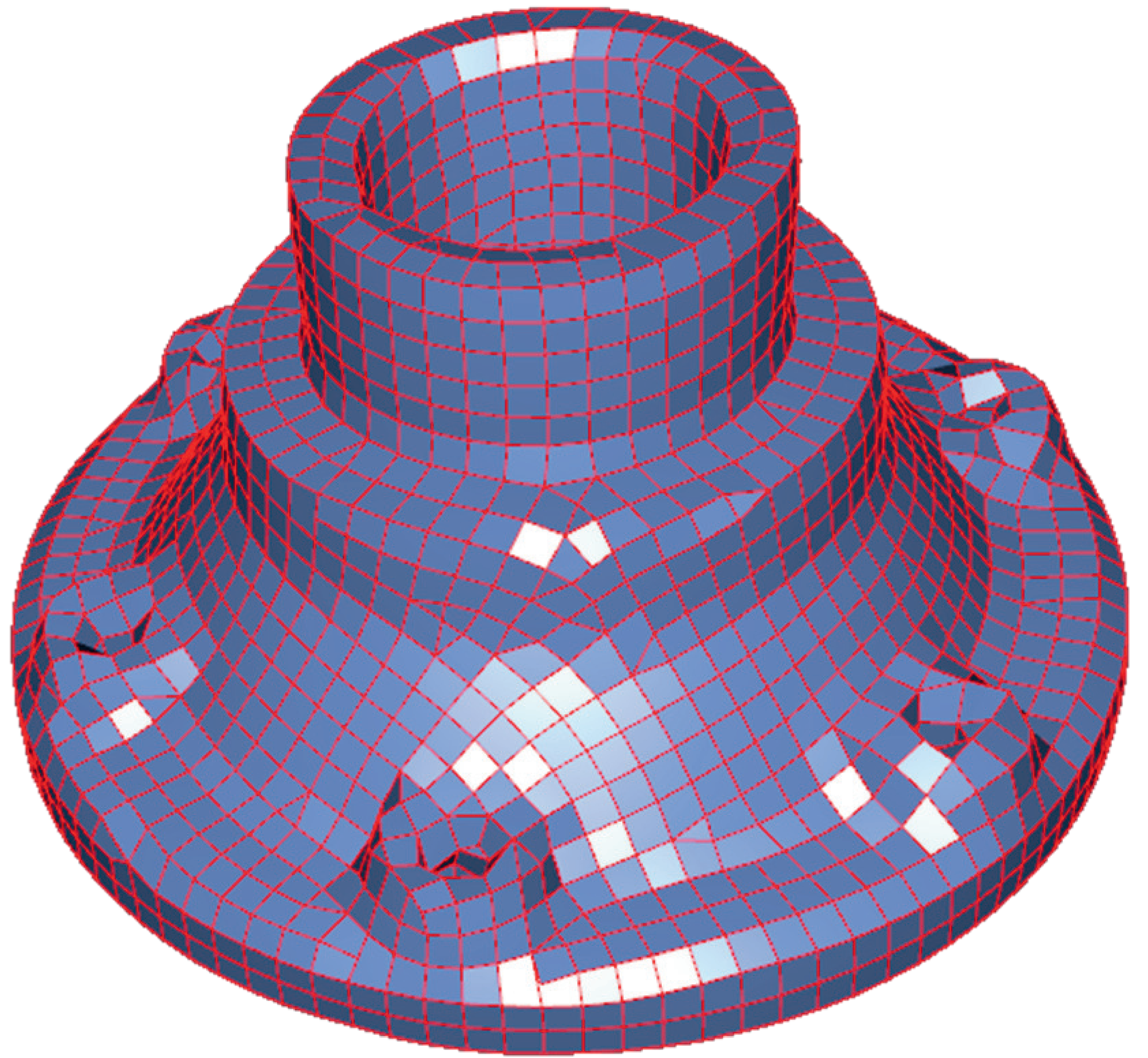
## WITH SCHOLARSHIPS

(Supported by TÜBİTAK 1001)

### Join Our Research Project!

#### Topics of interest:

Geometric modeling, spline surfaces, quad-dominant meshes, computer-aided design



#### How to apply?

Send Your Application in **single pdf file** containing:

- CV
- Transcripts
- Names of at least two references

#### Contact

Dr. Kemal Mert DOĞAN

[kmdogan@yildiz.edu.tr](mailto:kmdogan@yildiz.edu.tr)

#### Requirements

- Full-time work at the university
- No external company work allowed
- Preferred Candidates:
  - Background in Computer-Aided Design
  - C# Programming Experience
  - Familiar with Geometric Modeling Kernels (Rhino Grasshopper)